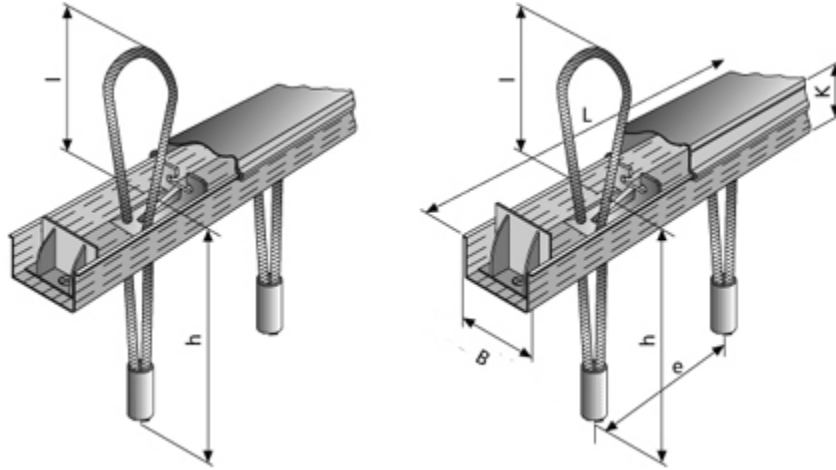


## LOOPMAX



### Application:

Structural interconnection of precast units or between precast units and in-situ building components

### Features

- Provides for continuous pouring channel
- High cover eliminates need for a joining board
- Pronounced profiling of casing surface facilitates shear force transmission
- Standard element length 1.25 m, special designs available on request
- **Tear-off cover** for simple shutteing removal
- No bending out - simply release the loops
- Special designs available on request

### Agenda:

B = Type/element width/sheet width

E = Loop spacing

L = Length

H = Loop height

I = Anchoring length

K = Casing height

Articleno	Type	Casing height	Cable	Loop spacing	h	l	Delivery qty.	Weight
	strip width mm	K mm	Ø mm	e cm	cm	cm	pieces/pallet	kg/m
33802595*	80	30	6	25	23.5	9.5	150 = 187.5 m	1.485
33602008	60	30	6	20	25.0	8	200 = 250.0 m	1.522
33602012	60	30	6	20	21.0	12	200	1.522
33604008	60	30	6	40	25.0	8	200	1.120
33604012	60	30	6	40	21.0	12	200	1.120
33606008	60	30	6	60	25.0	8	200	0.986
33606012	60	30	6	60	21.0	12	200	0.986
33062006	60	50	6	20	27.0	6	150 = 187.5 m	1.568
33064006	60	50	6	40	27.0	6	150	1.166
33082006	80	50	6	20	27.0	6	120 = 150.0 m	1.664
33084006	80	50	6	40	27.0	6	120	1.228
33112006	110	50	6	20	27.0	6	100 = 125.0 m	1.952
33114006	110	50	6	40	27.0	6	100	1.462